


IP1

Getting Started Guide

-  Before starting please check www.allen-heath.com for the latest software and documentation.

Limited One Year Manufacturer's Warranty

Allen & Heath warrants the Allen & Heath -branded hardware product and accessories contained in the original packaging ("**Allen & Heath Product**") against defects in materials and workmanship when used in accordance with Allen & Heath's user manuals, technical specifications and other Allen & Heath product published guidelines for a period of ONE (1) YEAR from the date of original purchase by the end-user purchaser ("**Warranty Period**").

This warranty does not apply to any non-Allen & Heath branded hardware products or any software, even if packaged or sold with Allen & Heath hardware.

Please refer to the licensing agreement accompanying the software for details of your rights with respect to the use of software/firmware ("EULA").

Details of the EULA, warranty policy and other useful information can be found on the Allen & Heath website: www.allen-heath.com/legal.

Repair or replacement under the terms of the warranty does not provide right to extension or renewal of the warranty period. Repair or direct replacement of the product under the terms of this warranty may be fulfilled with functionally equivalent service exchange units.

This warranty is not transferable. This warranty will be the purchaser's sole and exclusive remedy and neither Allen & Heath nor its approved service centres shall be liable for any incidental or consequential damages or breach of any express or implied warranty of this product.

Conditions Of Warranty

The equipment has not been subject to misuse either intended or accidental, neglect, or alteration other than as described in the User Guide or Service Manual, or approved by Allen & Heath.

Any necessary adjustment, alteration or repair has been carried out by an authorised Allen & Heath distributor or agent.

The defective unit is to be returned carriage prepaid to the place of purchase, an authorised Allen & Heath distributor or agent with proof of purchase. Please discuss this with the distributor or the agent before shipping. Units returned should be packed in the original carton to avoid transit damage.

DISCLAIMER: Allen & Heath shall not be liable for the loss of any saved/stored data in products that are either repaired or replaced.

Check with your Allen & Heath distributor or agent for any additional warranty information which may apply. If further assistance is required please contact Allen & Heath Ltd.

IMPORTANT - Read before starting

Safety instructions

Before starting, read the **Important Safety Instructions** printed on the sheet supplied with the equipment. For your own safety and that of the operator, technical crew and performers, follow all instructions and heed all warnings printed on the sheet and on the equipment panels.

System operating firmware

The function of the IP Remote Controller is determined by the firmware (operating software) that the mixing system runs. Firmware is updated regularly as new features are added and improvements made.

- ❗ Check www.allen-heath.com for the latest version of mixer or AHM firmware. dLive requires firmware V1.60 or higher to work the IP1.

Software licence agreement

By using this Allen & Heath product and the software within it you agree to be bound by the terms of the relevant **End User Licence Agreement** (EULA), a copy of which can be found at www.allen-heath.com/legal. You agree to be bound by the terms of the EULA by installing, copying, or using the software.

Further information

Please refer to the **Allen & Heath website** for further information, knowledgebase and technical support. For more information on mixer or AHM processor setup and mixing functions please refer to the respective guides available for download at www.allen-heath.com.

- ❗ Check for the latest version of this Getting Started Guide.

You can also join our Allen & Heath Digital Community to share knowledge and information with other dLive users.

General precautions

- This product must be installed by a professional installer or qualified engineer.
- Protect the equipment from damage through liquid or dust contamination.
- Clean the equipment with a soft brush and dry lint-free cloth. Do not use chemicals, abrasives or solvents.
- It is recommended that servicing is carried out only by an authorised Allen & Heath agent. Contact details for your local distributor can be found on the Allen & Heath website. Allen & Heath do not accept liability for damage caused by maintenance, repair or modification by unauthorised personnel.

Register your product

Register your product online at www.allen-heath.com/register.

IP1 Getting Started Guide

Copyright © 2021 Allen & Heath. All rights reserved.

ALLEN & HEATH

Allen & Heath Limited, Kernick Industrial Estate, Penryn, Cornwall, TR10 9LU, UK

<http://www.allen-heath.com>

Contents

IMPORTANT - Read before starting.....	3
Safety instructions.....	3
System operating firmware	3
Software licence agreement.....	3
Further information.....	3
General precautions.....	4
Register your product.....	4
Contents.....	5
Packed items.....	6
1. Introduction.....	6
2. Mounting the Remote Controller	7
2.1 IP1 /US	7
2.2 IP1 /EU	7
3. Front Panel.....	8
4. Connection and configuration.....	9
4.1 System connection.....	9
4.2 Set up the unit Name and IP Address	9
4.3 Reset Network Settings	10
4.4 Programming the Remote Controller.....	11
5. Dimensions	12
6. Technical specs	14

Packed items

Check you have received the following:

- IP1 Remote Controller
- Fitting notes AP11269 (US) / AP11270 (EU)
- Safety Sheet

1. Introduction

The IP1 is part of the Allen & Heath IP Series of remote controllers. It interfaces with the AHM, dLive or Avantis mixing system via standard TCP/IP Network connections and can therefore be networked with other controllers, computers and third party devices using standard Ethernet infrastructure. It is powered over Ethernet (PoE).

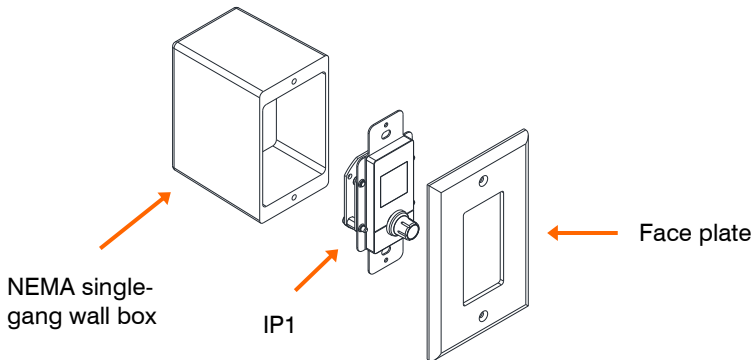
The IP1 controls and functions are programmed using the AHM System Manager software, dLive Surface / Director software, or Avantis mixer / Director software, and can suit a number of applications including:

- Zone level control.
- Source selection, for example for background music.
- Scene / Preset selection, for example to recall different room configurations.

2. Mounting the Remote Controller

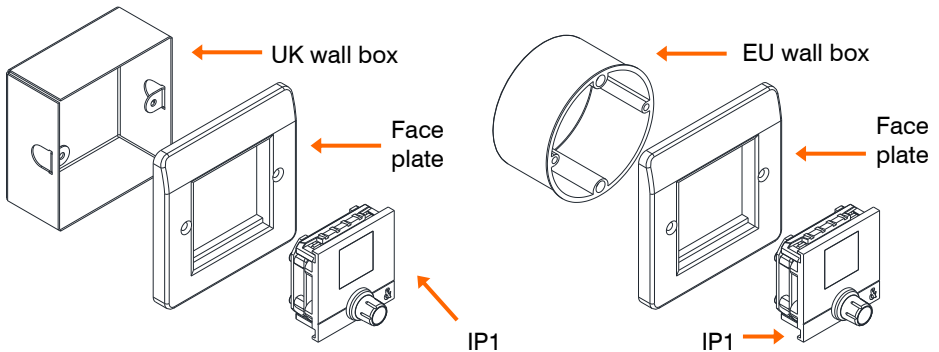
IP1 /US

This model fits standard US single-gang electrical boxes (NEMA WD-6 standard) with a minimal depth of 25mm. It accepts Leviton Decora and compatible face plates. Refer to the instructions of the face plate and/or wall box for screw specification and mounting.

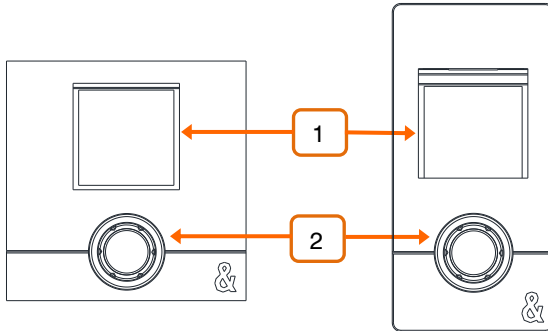


IP1 /EU

This model fits standard UK wall boxes (BS 4662) and European wall boxes (DIN 49073) with a minimal depth of 30mm and Honeywell / MK Elements or compatible plates. Refer to the instructions of the face plate and/or wall box for screw specification and mounting.



3. Front Panel



1 **LCD Display** – Colour display providing information on the selected channel or output mix. It can also display a Source or Scene list when the rotary is pressed if such function is assigned to the IP1.



2 **Rotary Encoder** – Assignable dual function rotary control. Push and turn to control its second function or push to enter Source Select or Scene / Preset Select mode.

Available functions include Input Level, Mix/Zone Level, DCA / Control Group Level, Aux Send Level, FX Send Level, Matrix Send Level, Source Selector (Level+Source), Pan, Scene / Preset Select.

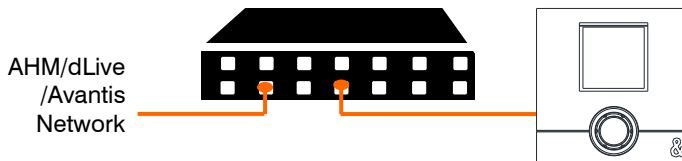
4. Connection and configuration

The IP1 provides a Fast Ethernet, PoE compliant network port for connection to the mixing system.

i The maximum cable length is 100m. Use STP (shielded twisted pair) CAT5 or higher cables.

System connection

Connect the IP1 and a dLive / Avantis / AHM Network port to the same PoE network switch using a CAT5 cable up to 100m long.



At power up, the unit Name and IP address are displayed on the LCD Display for easy identification of the unit. After a few seconds the IP1 will display level or function if any has been set for the unit.

i If the firmware in a connected IP Remote Controller is not the same version as that in the mixing system, then the host mixer or processor will automatically update the IP firmware at power up.

i Either of the two PoE standards 802.3af (15.4W at source) or 802.3at (25.5W at source) is suitable. Check that the overall power rating is enough to provide for all IP Remote Controllers you wish to connect (allow 5W per IP1 unit).

Set up the unit Name and IP Address

When connecting multiple IP Remote Controllers to the same network, ensure each unit is set to a unique Name and IP Address beforehand. Alternatively you can enable DHCP on the Remote Controllers, provided a DHCP Server is present on the network and the DHCP range is compatible with the IP Address of the mixing system.

The factory default settings are as follows:

Unit Name	IP1
DHCP	Off
IP Address	192.168.1.74

Subnet Mask 255.255.255.0
Gateway 192.168.1.254

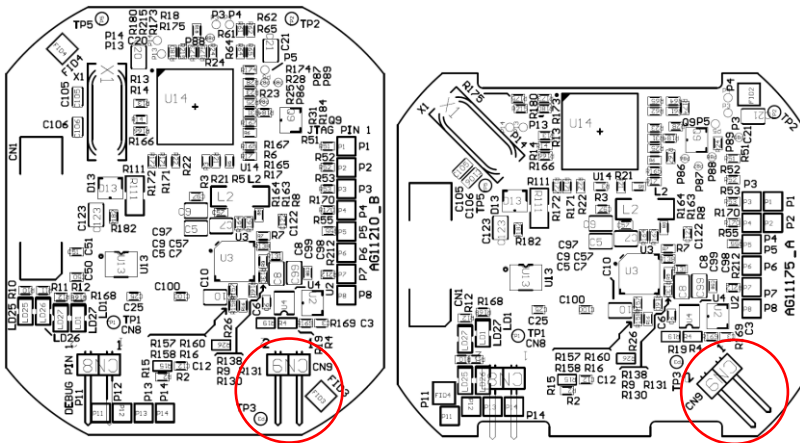
There are two ways of editing these settings:

Browser access – Connect the IP1 and a PC or Mac computer to the same PoE network switch. Set your computer to a compatible, static IP Address, for example 192.168.1.100 with Subnet 255.255.255.0. Open a web browser and type the IP1 default IP Address **192.168.1.74** in the URL bar. This will give access to its network settings. Repeat the operation for each IP1 unit in the system.

System software – Connect the IP1 and a dLive/Avantis/AHM Network port to the same PoE network switch. Use the mixer touchscreen interface or Director / System Manager software to edit the IP1 network settings. Once applied, repeat the operation for each IP1 unit in the system.

❗ Refer to the mixer or AHM processor guides available for download at www.allen-heath.com for more information.

Reset Network Settings



Jumper link **CN9** on the main PCB board lets you reset the network settings to factory default. To reset, short the link for 10s whilst applying power to the unit.

Programming the Remote Controller

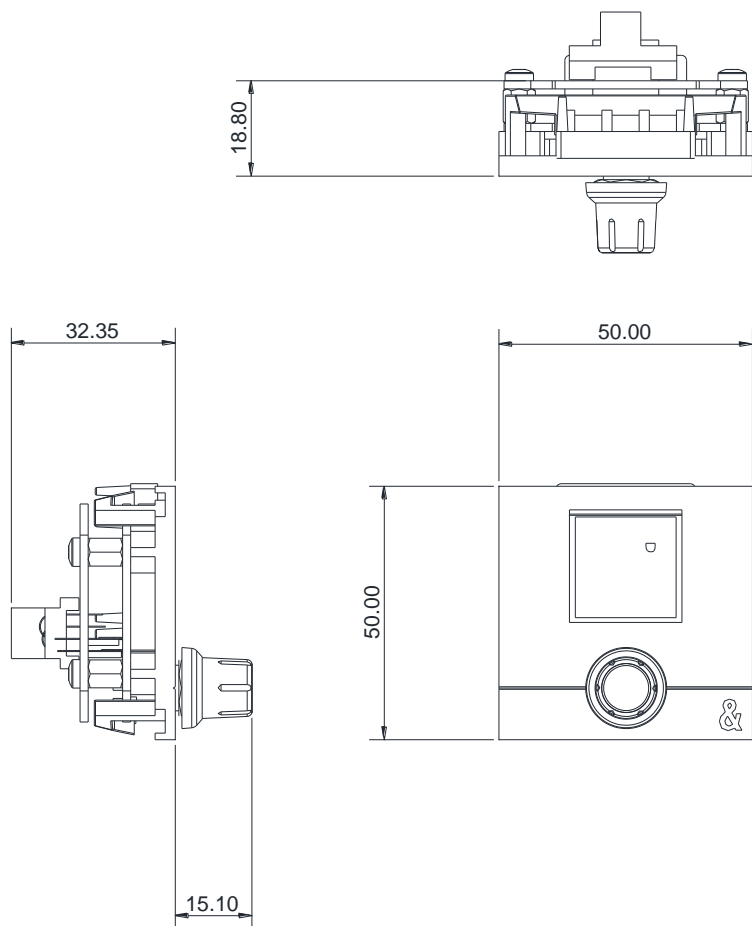
Use the AHM System Manager software, dLive Surface / Director software, or Avantis mixer / Director software to configure the controller as appropriate.

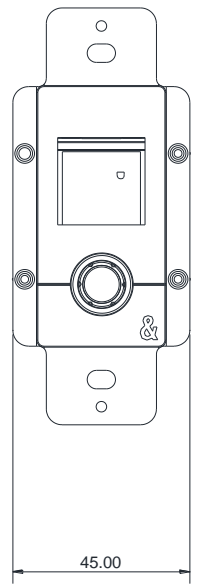
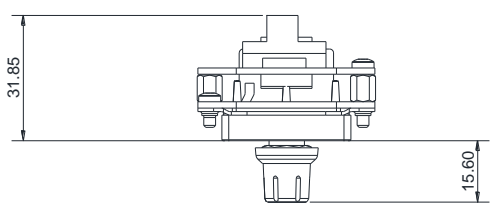
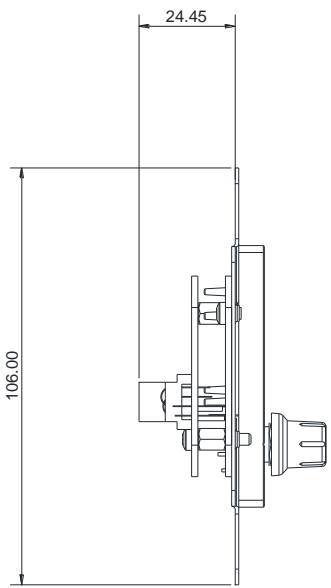
With dLive, the IP1 can be set to link to either the **MixRack** or the **Surface**. This is regardless of the physical Network connection, for example the unit might be physically connected to the MixRack but set to link to the Surface. Linking to the MixRack provides an independent Remote Controller that can be used with or without Surface connection, and is recommended for fixed install applications.

The functions and assignments of the IP1 are stored in the dLive / Avantis Scenes or AHM Presets. They are not stored locally on the Remote Controller.

① Refer to the mixer or AHM processor guides available for download at www.allen-heath.com for more information.

5. Dimensions





6. Technical specs

System

Network	Fast Ethernet 100Mbps
PoE	802.3af
Max power consumption	2.5W
Operating Temperature Range	0 deg C to 35 deg C (32 deg F to 95 deg F)

Dimensions and Weights

	Width x Depth x Height x Weight
IP1 /US	45 x 25 x 106 mm x 0.1kg (3.5 ounces)
IP1 /US (boxed)	131 x 170 x 90 mm x 0.2kg (7.5 ounces)
IP1 /EU	50 x 32 x 50 mm x 70g (2.5 ounces)
IP1 /EU (boxed)	131 x 170 x 90 mm x 0.2kg (7.5 ounces)